



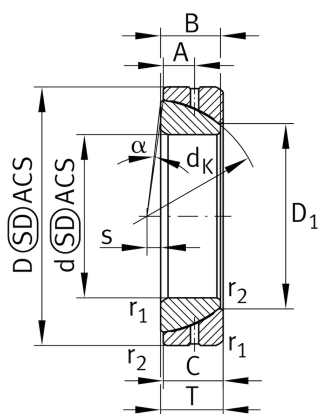
GE40-SX

Spherical plain bearing

Schaeffler ID:
0066542660000

Angular contact spherical plain bearing,
requiring maintenance, sliding contact
surface: steel/steel, DIN ISO 12240-2,
open design

Technical information



Main Dimensions & Performance Data

d	40 mm	Inner diameter bearing
D	68 mm	Outside diameter bearing
T	19 mm	Height
C_r	90,800 N	Basic dynamic load rating, radial
C_{0r}	454,000 N	Basic static load rating, radial
	0.331 kg	Weight

Dimensions

d_K	60 mm	Ball diameter
d_2	54 mm	Connection measure Inner ring
D_1	46.8 mm	Inner diameter of housing washer
B	18 mm	Width Inner ring
C	18 mm	Width Outer ring
s	1.5 mm	Plane Surface Spacing
A	9.5 mm	Distance lubrication Bore
α	1.9 °	Tilt angle
d_{OT}	0 mm	Bore diameter bearing, upper tolerance
d_{UT}	-0.012 mm	Bore diameter bearing, lower tolerance
D_{OT}	0 mm	Outer diameter, upper tolerance
D_{UT}	-0.016 mm	Outside diameter, lower tolerance
T_{OT}	0.25 mm	Height, upper tolerance
T_{UT}	-0.25 mm	Height, lower tolerance
C_{OT}	0 mm	Width outer ring, upper tolerance
B_{OT}	0 mm	Width inner ring, upper tolerance
B_{UT}	-0.24 mm	Width inner ring, lower tolerance

Mounting dimensions

$r_{1\text{min}}$	1 mm	Edge Spacing
$r_{2\text{min}}$	0.3 mm	Edge Spacing
$d_{a\text{max}}$	45.6 mm	Connection measure Inner ring
$D_{a\text{min}}$	52 mm	Housing Connection Diameter
$D_{b\text{min}}$	61 mm	Connection diameter

Temperature range

T_{min}	-60 °C	Operating temperature min.
T_{max}	200 °C	Operating temperature max.